

JF-IPC-EDB2321-IR3-VF (AF)

1080P Low Illumination Network Bullet Camera



Features

- ◆ 1080P@25fps
- ◆ -VF: Manual Focus
- ◆ -AF: Motorized Zoom
- ◆ HD lens:2.8-12mm
- ◆ Support ONVIF(profile S)
- ◆ Support H.265+/H.265/H.264+/H.264 Video compression, multi-level video quality configuration;
- ◆ Support intelligent video: Tripwire, Intrusion, Missing Object;
- ◆ Protection level is IP66(-VF) and IP67(-AF)
- ◆ Supporting WEB, VMS, MYEYE platform;
- ◆ Support mobile phone monitoring (IOS, Android);

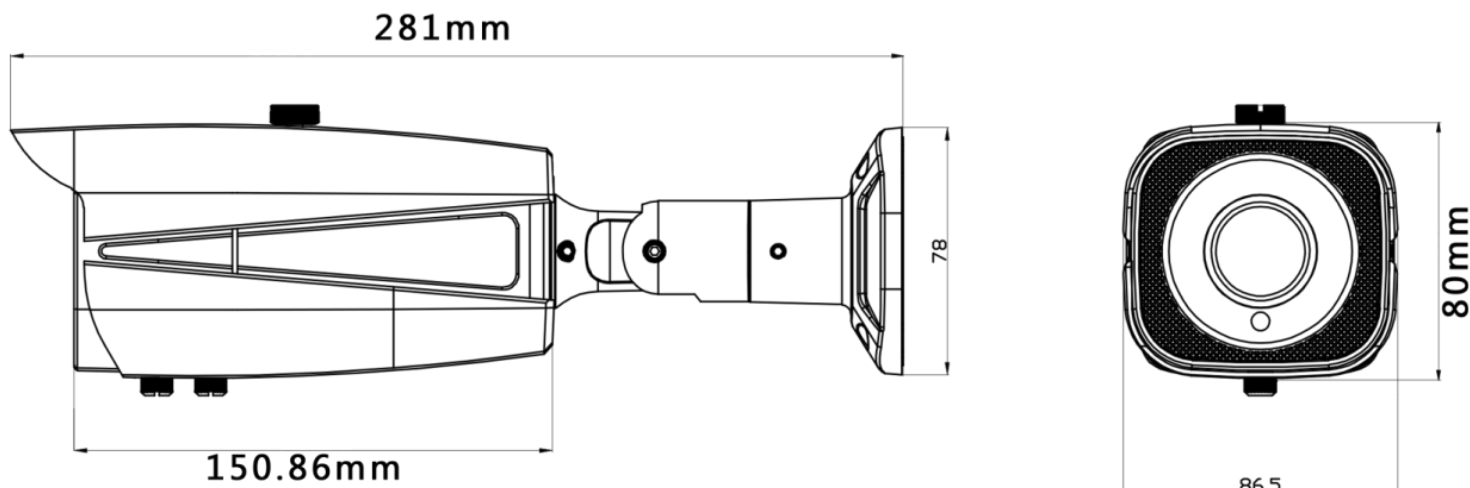
Specification

Camera	
Model	JF-IPC-EDB2321-IR3-VF (AF)
Image Sensor	1/2.9" 1080P CMOS
Min.illumination	0.01Lux@F1.2(Color)/0.001Lux@F1.2 (B/W)
Lens	2.8-12mm
Day/Night	IR CUT
Wide Dynamic Range	DWDR
Max.IR Distance	40m
Video Compression	H.265+/H.265/H.264+/H.264
Multi-streaming	Dual-stream
Frame Rate	1080P@25fps
Intelligent Video	Tripwire, Intrusion, MissingObject
Compatibility	ONVIF
Interface	
Audio In/Out	1/1
Memory Slot	--
Alarm In/Out	2/1
General	
Ingress Protection	IP66(-VF)/IP67(-AF)
Working Temperature	-20℃~+65℃
Material	ABS plastic+Metal
Power	DC12V±10%,PoE

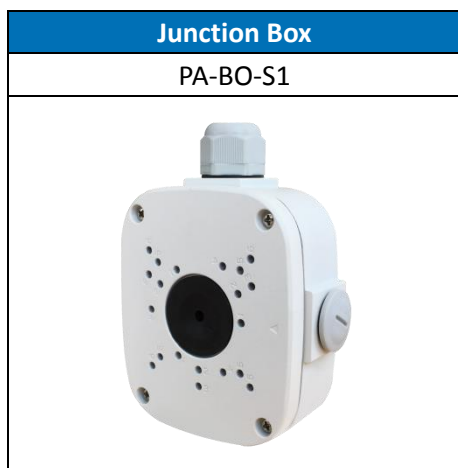
JF-IPC-EDB2321-IR3-VF (AF)

1080P Low Illumination Network Bullet Camera

Dimensions



Accessories (optional)



JF TECH Co.,Ltd.

Headquarters(Hangzhou):

Building 9, Yinhu Innovation Center, Hangzhou, China

Business Center(Shenzhen):

A 7th Floor, Block Sakata 5 Avenue and Chong Hing Times Tower Shenzhen

All Rights Reserved • Specifications subject to change without notice.

Website:<http://www.jftech.com>

Tel:+86-0571-23271188

Tel:+86-0755-32898088